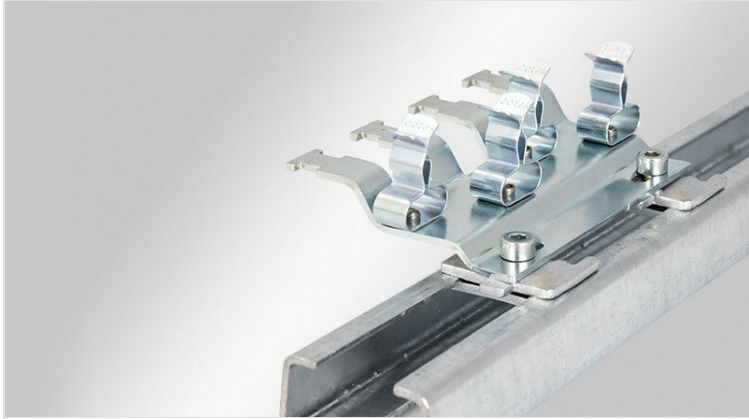


EMC clamp assembly for C section rail C30

with integrated strain relief



EMC clamp assemblies are used, where the shield of several cables must be connected to the earth potential. They are easy to use and enable effective earthing and strain relief of up to 12 cables in a small space. There are different carriers available which can be user configured with up to 12 SKL or MSKL shield clamps. The shield clamps are mounted directly on the surface of the clamp assembly which guarantees a tight fit.

The cables can be fixed via the cable jacket using cable ties. Thus strain relief in accordance with EN 62444 is achieved.

The EMC shield clamps as listed below are available to mount:

SKL 1.5-3 | SKL 3-6 | SKL 6-8 | SKL 8-11
MSKL 3-12

The SKL shield clamps are assembled in a row, the MSKL shield clamps are assembled in a staggered double-row which enables an ideal and space-saving arrangement.

The clamp assembly can be mounted on C section rails C30 using the SC screw foot.

Configure your individual clamp assembly with the icotek EMC Configurator!



Specifications

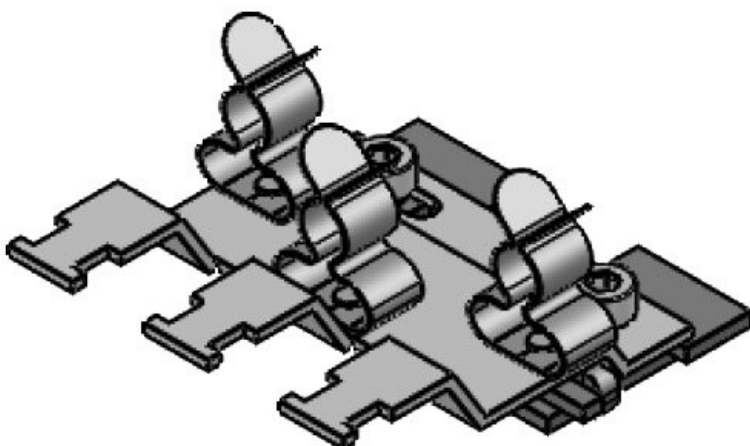
Material	Shield clamp: Spring steel, zinc plated Mounting foot: Mild steel, galvanically zinc plated Screw foot: Mild steel, galvanically zinc plated
Properties	vibration proof
Mounting options	Screw type mounting

Advantages & Benefits

- Large contact area
- Shield contact and strain relief separated
- Easy assembly and removal
- The spring design requires no adjustments and will permanently maintain contact to the cable shield
- Shock and vibration resistant, maintenance free
- Designed for high density applications
- Possibility to configure custom specific EMC clamp assemblies
- For mounting on all standard C section rails C30

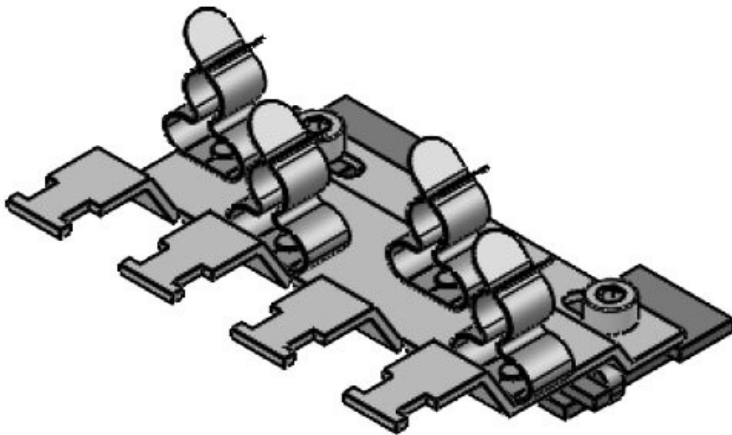
Product Types & Sizes

SC|RLFZ-M (x3)



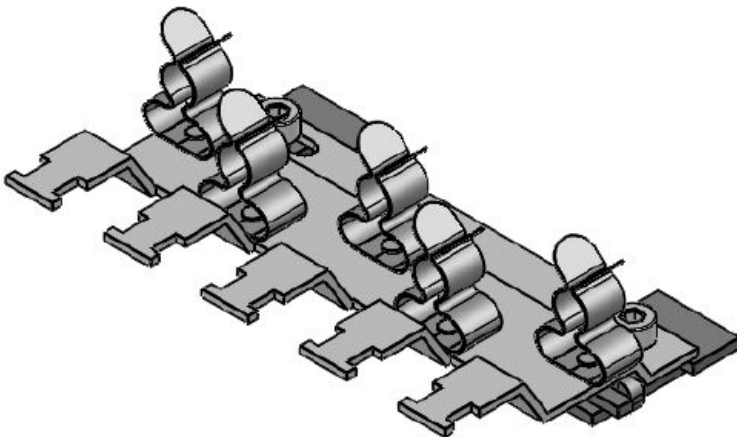
Part No.	38070.100	Length	58 mm
EAN	4251269319	Width	54,1 mm
	976	Height	16,2 mm
Package quantity	1	Mounting height	16,2 mm
Shield clamp type	MSKL		
For no. of shield clamps	3		
For max. no. of cables	3		
Strain relief function	Yes		

SC|RLFZ-M (x4)



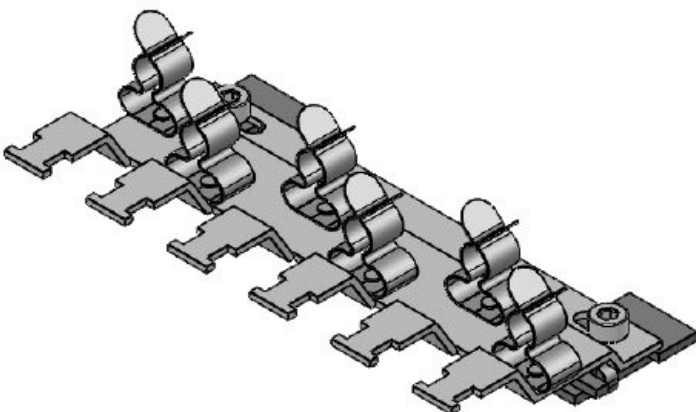
Part No.	38071.100	Length	79 mm
EAN	4251269319	Width	54,1 mm
	983	Height	16,2 mm
Package quantity	1	Mounting height	16,2 mm
Shield clamp type	MSKL		
For no. of shield clamps	4		
For max. no. of cables	4		
Strain relief function	Yes		

SC|RLFZ-M (x5)



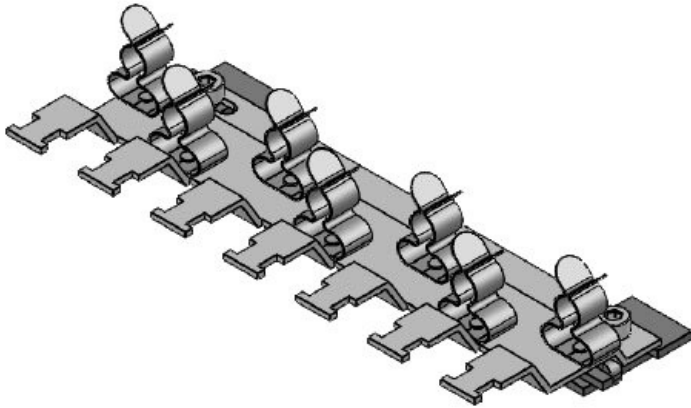
Part No.	38072.100	Length	99,7 mm
EAN	4251269319	Width	54,1 mm
	990	Height	16,2 mm
Package quantity	1	Mounting height	16,2 mm
Shield clamp type	MSKL		
For no. of shield clamps	5		
For max. no. of cables	5		
Strain relief function	Yes		

SC|RLFZ-M (x6)



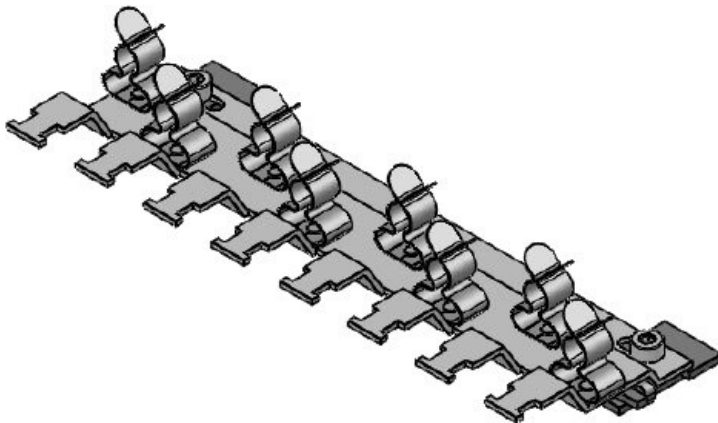
Part No.	38073.100	Length	120,7 mm
EAN	4251269320	Width	54,1 mm
	002	Height	16,2 mm
Package quantity	1	Mounting height	16,2 mm
Shield clamp type	MSKL		
For no. of shield clamps	6		
For max. no. of cables	6		
Strain relief function	Yes		

SC|RLFZ-M (x7)



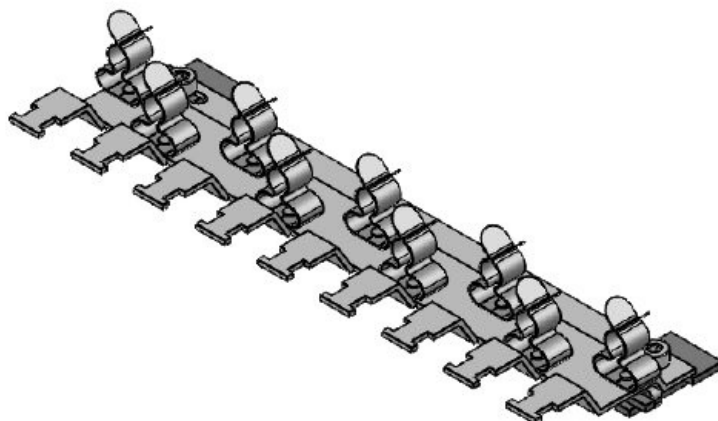
Part No.	38074.100	Length	141,7 mm
EAN	4251269320	Width	54,1 mm
	019	Height	16,2 mm
Package quantity	1	Mounting height	16,2 mm
Shield clamp type	MSKL		
For no. of shield clamps	7		
For max. no. of cables	7		
Strain relief function	Yes		

SC|RLFZ-M (x8)



Part No.	38075.100	Length	162,7 mm
EAN	4251269320	Width	54,1 mm
	026	Height	16,2 mm
Package quantity	1	Mounting height	16,2 mm
Shield clamp type	MSKL		
For no. of shield clamps	8		
For max. no. of cables	8		
Strain relief function	Yes		

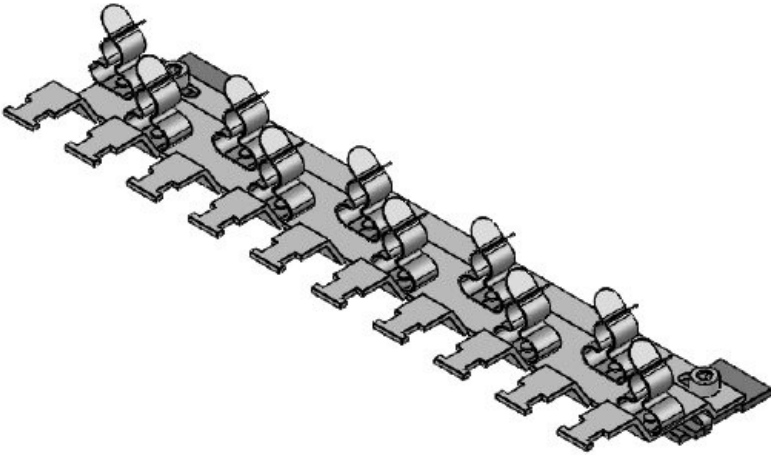
SC|RLFZ-M (x9)



Part No.	38076.100	Length	183,7 mm
EAN	4251269320	Width	54,1 mm
	033	Height	16,2 mm
Package quantity	1	Mounting height	16,2 mm
Shield clamp type	MSKL		
For no. of shield clamps	9		
For max. no. of cables	9		
Strain relief function	Yes		

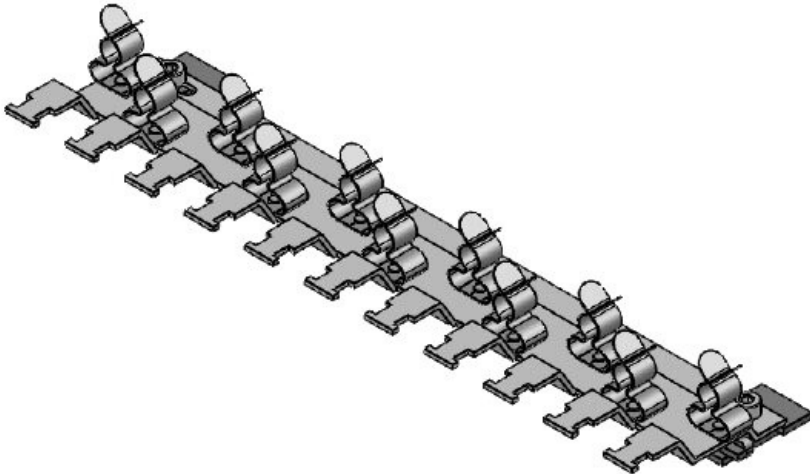
SC|RLFZ-M (x10)

Part No.	38077.100	Length	204,7 mm
EAN	4251269320	Width	54,1 mm
	040	Height	16,2 mm
Package quantity	1	Mounting height	16,2 mm
Shield clamp type	MSKL		
For no. of shield clamps	10		
For max. no. of cables	10		
Strain relief function	Yes		



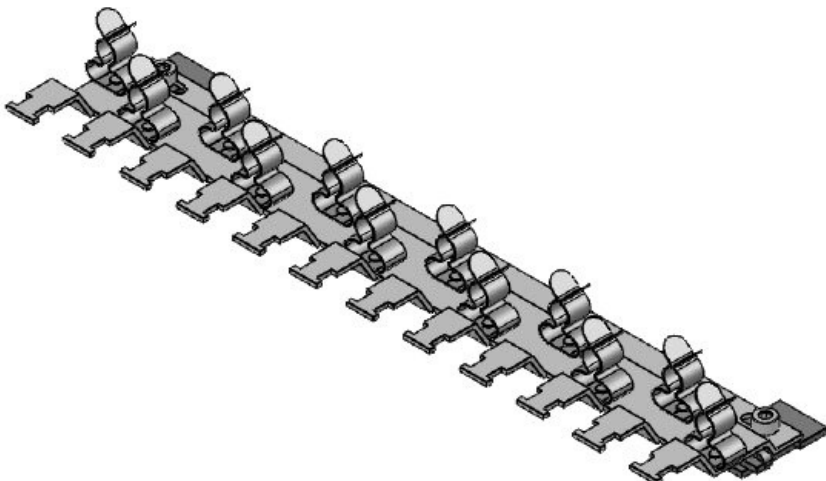
SC|RLFZ-M (x11)

Part No.	38078.100	Length	226 mm
EAN	4251269320	Width	54,1 mm
	057	Height	16,2 mm
Package quantity	1	Mounting height	16,2 mm
Shield clamp type	MSKL		
For no. of shield clamps	11		
For max. no. of cables	11		
Strain relief function	Yes		

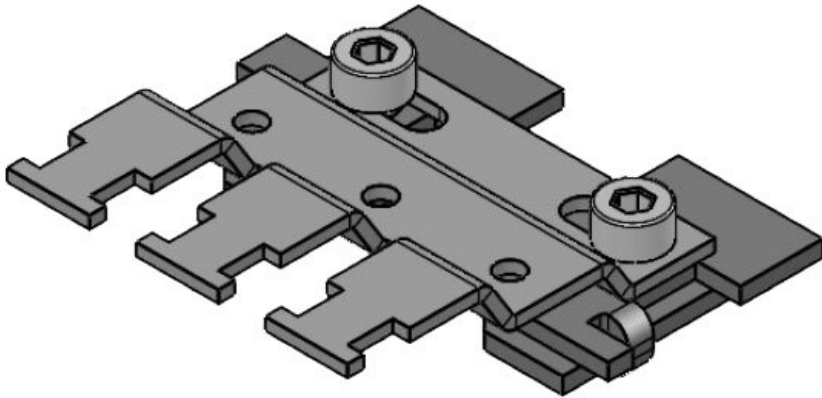


SC|RLFZ-M (x12)

Part No.	38079.100	Length	246,7 mm
EAN	4251269320	Width	54,1 mm
	064	Height	16,2 mm
Package quantity	1	Mounting height	16,2 mm
Shield clamp type	MSKL		
For no. of shield clamps	12		
For max. no. of cables	12		
Strain relief function	Yes		

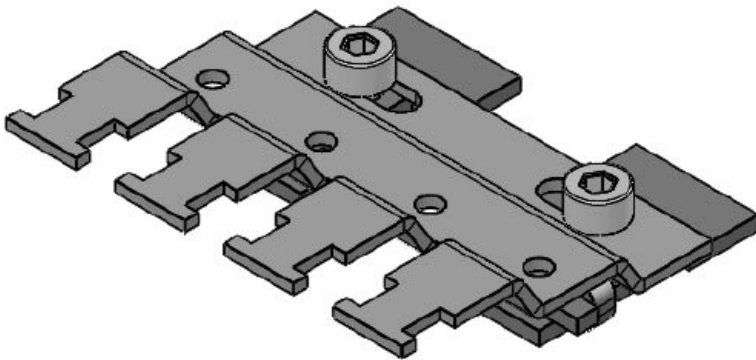


SC|RLFZ (x3)



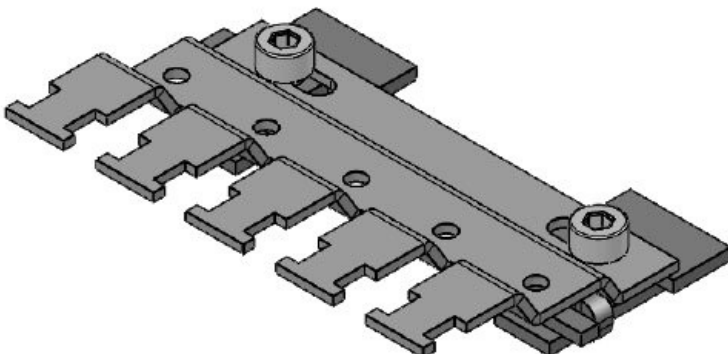
Part No.	38005.100	Length	41,2 mm
EAN	4251269319	Width	44,4 mm
	877	Height	12,5 mm
Package quantity	1	Mounting height	12,5 mm
Shield clamp type	SKL		
For no. of shield clamps	3		
For max. no. of cables	3		
Strain relief function	Yes		

SC|RLFZ (x4)



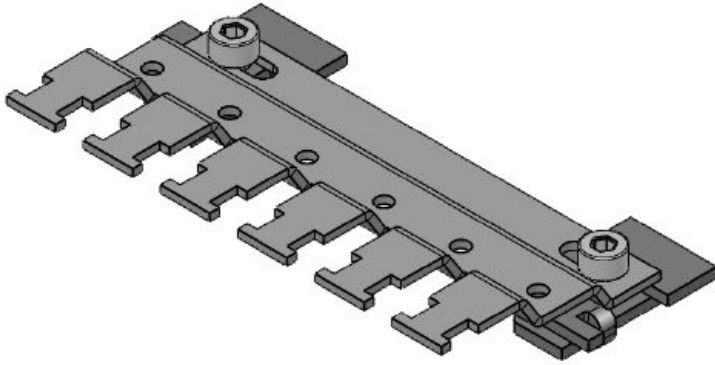
Part No.	38010.100	Length	56,8 mm
EAN	4251269319	Width	44,4 mm
	884	Height	12,5 mm
Package quantity	1	Mounting height	12,5 mm
Shield clamp type	SKL		
For no. of shield clamps	4		
For max. no. of cables	4		
Strain relief function	Yes		

SC|RLFZ (x5)



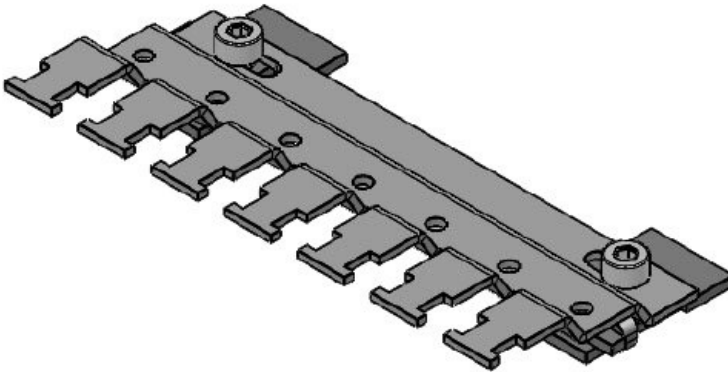
Part No.	38015.100	Length	72,4 mm
EAN	4251269319	Width	44,4 mm
	891	Height	12,5 mm
Package quantity	1	Mounting height	12,5 mm
Shield clamp type	SKL		
For no. of shield clamps	5		
For max. no. of cables	5		
Strain relief function	Yes		

SC|RLFZ (x6)



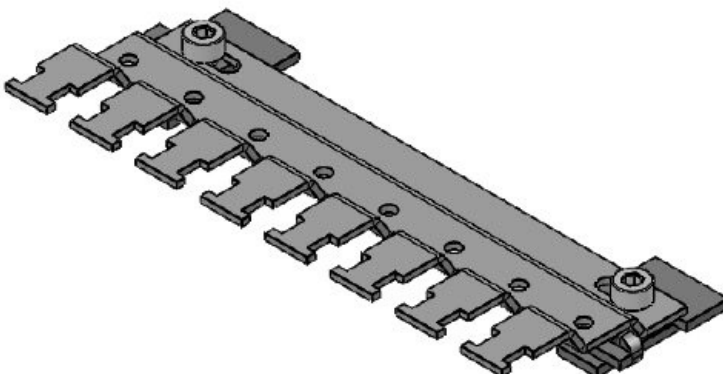
Part No.	38020.100	Length	88 mm
EAN	4251269319	Width	44,4 mm
	907	Height	12,5 mm
Package quantity	1	Mounting height	12,5 mm
Shield clamp type	SKL		
For no. of shield clamps	6		
For max. no. of cables	6		
Strain relief function	Yes		

SC|RLFZ (x7)



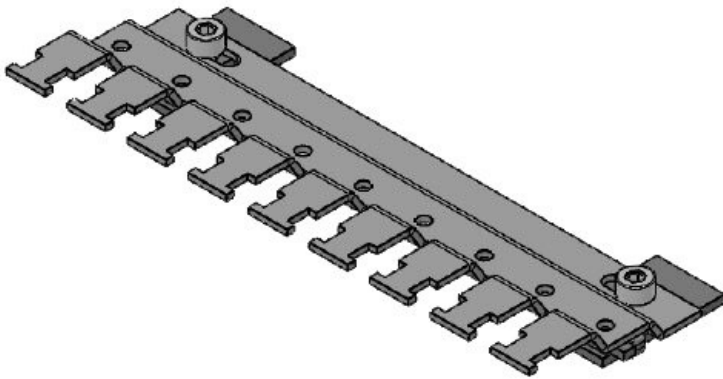
Part No.	38025.100	Length	103,6 mm
EAN	4251269319	Width	44,4 mm
	914	Height	12,5 mm
Package quantity	1	Mounting height	12,5 mm
Shield clamp type	SKL		
For no. of shield clamps	7		
For max. no. of cables	7		
Strain relief function	Yes		

SC|RLFZ (x8)



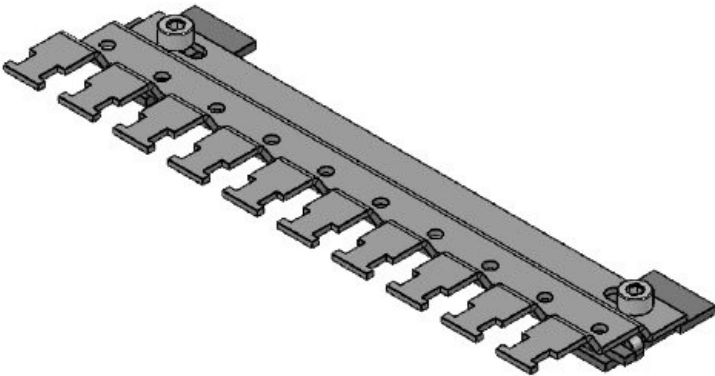
Part No.	38030.100	Length	119,2 mm
EAN	4251269319	Width	44,4 mm
	921	Height	12,5 mm
Package quantity	1	Mounting height	12,5 mm
Shield clamp type	SKL		
For no. of shield clamps	8		
For max. no. of cables	8		
Strain relief function	Yes		

SC|RLFZ (x9)



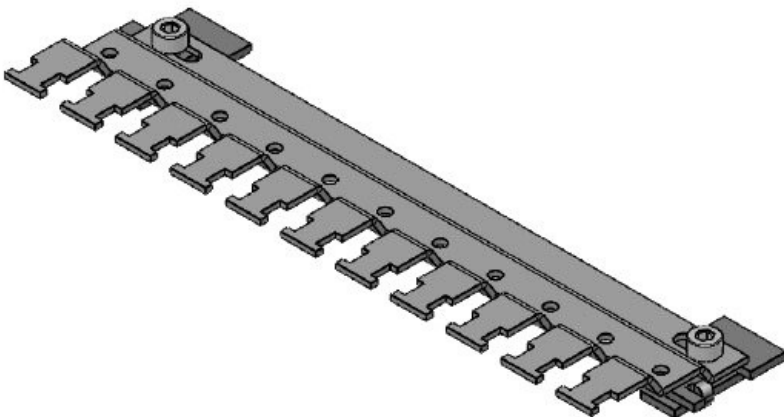
Part No.	38035.100	Length	134,8 mm
EAN	4251269319	Width	44,4 mm
	938	Height	12,5 mm
Package quantity	1	Mounting height	12,5 mm
Shield clamp type	SKL		
For no. of shield clamps	9		
For max. no. of cables	9		
Strain relief function	Yes		

SC|RLFZ (x10)



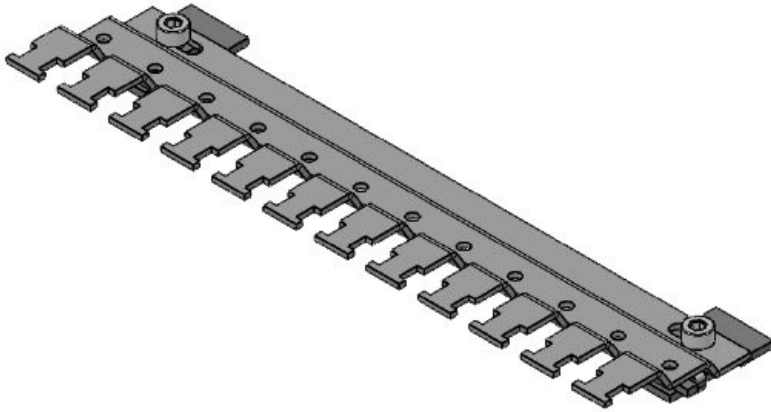
Part No.	38040.100	Length	150,4 mm
EAN	4251269319	Width	44,4 mm
	945	Height	12,5 mm
Package quantity	1	Mounting height	12,5 mm
Shield clamp type	SKL		
For no. of shield clamps	10		
For max. no. of cables	10		
Strain relief function	Yes		

SC|RLFZ (x11)



Part No.	38045.100	Length	166 mm
EAN	4251269319	Width	44,4 mm
	952	Height	12,5 mm
Package quantity	1	Mounting height	12,5 mm
Shield clamp type	SKL		
For no. of shield clamps	11		
For max. no. of cables	11		
Strain relief function	Yes		

SC|RLFZ (x12)



Part No.	38050.100	Length	181,6 mm
EAN	4251269319	Width	44,4 mm
	969	Height	12,5 mm
Package quantity	1	Mounting height	12,5 mm
Shield clamp type	SKL		
For no. of shield clamps	12		
For max. no. of cables	12		
Strain relief function	Yes		

icotek[®]
smart cable management